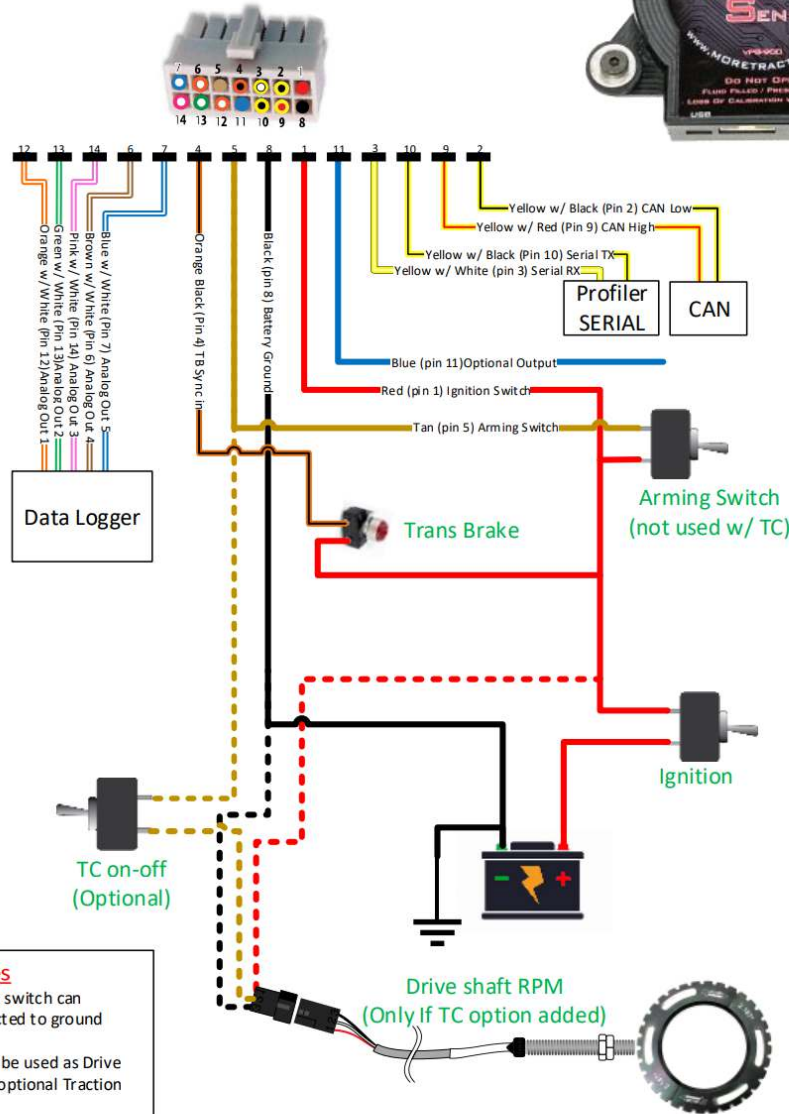


VPS

Vehicle Position Sensor



- Notes**
- Trans Brake and arm switch can optionally be connected to ground source
 - Tan Wire (Pin 5) can be used as Drive Shaft Speed input if optional Traction Control is installed.
 - Analog Outputs are 0-5 volt
 - Acceleration Axes are scaled -5g/+5g
 - Angles are scaled -12 deg/+12 deg
 - Profiler Serial only used with Profiler, not Profiler EFI Module
 - CAN is for use with compatible systems only

3/16/19

Other products and companies referred to herein are trademarks or registered trademarks of their respective companies or mark holders. Any components shown are for illustration or instructional purposes only.



WWW.MORETRACTION.COM

VPS- 14 Pin Connector (20ga)		
Pin	Color	Function
1	Red	Battery Positive - Ignition Switch
2*	Yellow w/ Black Stripe	CAN Low
3* #	Yellow w/ White Stripe	Serial RX
4	Orange w/ Black Stripe	Trans Brake Sync In
5	Tan	Arming Switch / DSRPM Input
6*	Brown w/ White Stripe	Analog Out 4
7*	Blue w/ White Stripe	Analog Out 5
8	Black	Battery Ground
9*	Yellow w/ Red Stripe	CAN High
10* #	Yellow w/ Black Stripe	Serial TX
11	Blue	General Purpose Output (50mA Batt Voltage / Gnd)
12	Orange w/ White Stripe	Analog Out 1
13	Green w/ White Stripe	Analog Out 2
14	Pink w/ White Stripe	Analog Out 3

* Included, but not installed in connector

For use with Profiler Only- Not Profiler EFI Module

WARNING- DO NOT INSTALL SERIAL RX/TX IF NOT CONNECTED!!

